

# Moulded Case Current Transformers

## 805 Series Instrument Transformers



Model 805-941 \* \*



Model 805-940 \* \*

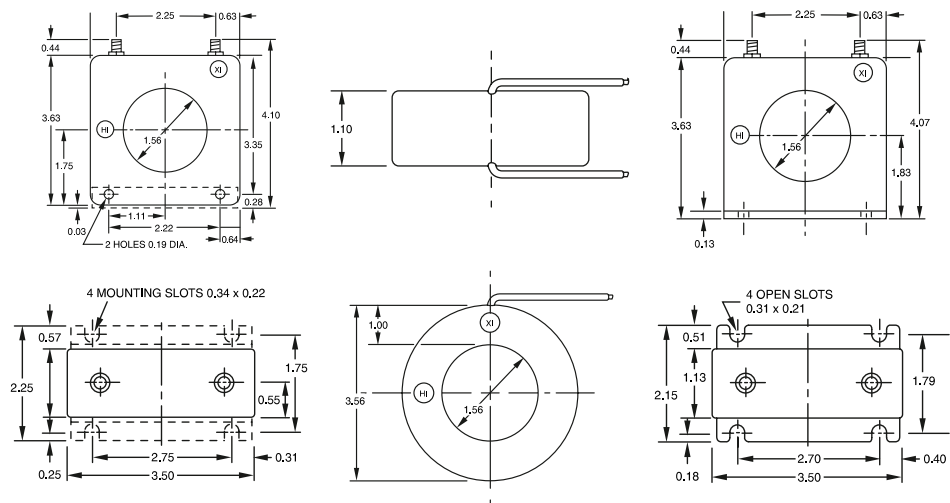


Model 805-943 \* \*

### Specifications

- Application:** With Ammeters, Wattmeters, Relays and cross current compensation
- Frequency:** 50-400 Hz
- Installation Class:** 0.6 KV. BIL. 10 KV. full wave
- Manufactured to meet the requirements of UL 1244 and revisions
  - Flexible leads are UL 1015 105°C CSA approved, #16 AWG, 24" long
  - Non-standard length to be specified
  - Terminals are brass studs No. 8-32 UNC with one flat washer, lockwasher and regular nut
  - UL Recognized
  - ABS Approved

### Dimensions (inches)



### Ordering Information

Catalogue Number	Current Ratio	Accuracy 60 Hz	Burden VA 60 Hz	Weight lbs
* * U-NTLS	50:5			0.97
* * U-PBLS	75:5			0.97
* * U-PKLS	100:5			0.97
* * U-PQLS	120:5			0.97
* * U-PSLS	125:5			0.97
* * U-PZLS	150:5	+ 1%	5.0	0.98
* * U-RLLS	200:5	+ 1%	5.0	1.01
* * U-RSLS	250:5	+ 1%	12.5	1.04
* * U-RXLS	300:5	+ 1%	12.5	1.07
* * U-SCLS	400:5	+ 1%	12.5	1.12
* * U-SFLS	500:5	+ 1%	25.0	1.12
* * U-SJLS	600:5	+ 1%	25.0	1.09
* * U-SMLS	750:5	+ 1%	25.0	0.95
* * U-SNLS	800:5	+ 1%	30.0	0.96
* * U-SSLS	1000:5	+ 1%	35.0	1.04
* * U-SULS	1200:5	+ 1%	40.0	1.08

Other ratios available on request. Ordering mounting bracket kit separately option code MH. ie: 806-941U TCLS MH

\* \* NOTE: When ordering, prefix Cat. No with model designation required. i.e. 805-940U-NTLS or 805-941U-NTLS or 805-943U-NTLS